



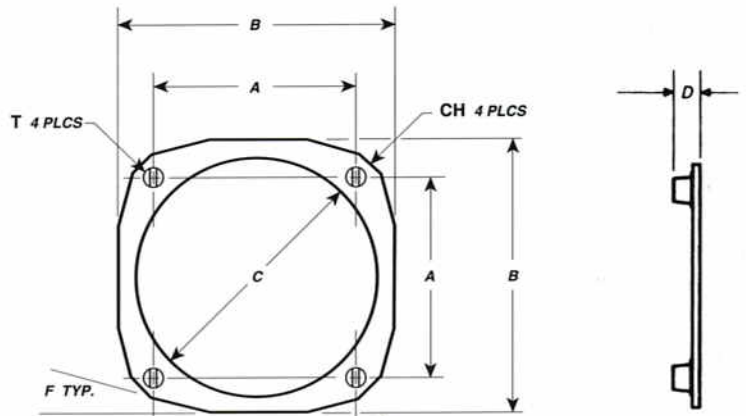
## FAA/PMA# PQ1026SW

### Another Innovation From The Aerospace Electronics Mounting Specialist!

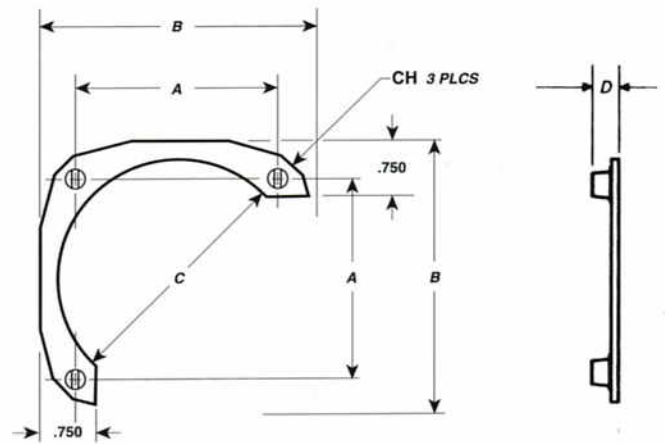
Lightweight brackets with self-wrenching, self-locking press nuts.

Eliminates the risk of loose hardware behind the panel.

Quick and easy installation.



-01 & -03 CONFIGURATION



-02 CONFIGURATION

**Note:** All dimensions are symmetrical about centerlines.

**Kit Includes:** Instructions, installation and mounting hardware.

Part No.	Shell Size	T THRD UNC-3B	A ± .003	B ± .015	C <sup>+0.015</sup> <sub>-.000</sub>	D	F ± .5°	CH
FSIM-01	3.125	6-32	2.475	3.360	3.160	.123/.183	22°	.25 x 45°
FSIM-02	3.125	6-32	2.475	3.360	3.160	.123/.183	22°	.25 x 45°
FSIM-03	2.250	6-32	1.865	2.530	2.290	.123/.183	15°	.25 x 45°

**Note:** All FSIM kits are available with optional Brass Screws with nylon locking patch and free spinning pressnuts. Add "BN" to part number. **Example: FSIM-01BN**

SPECIFICATIONS	FSIM SERIES
<b>Material:</b>	
1. <b>Retainer</b> - 6061-T6 Aluminum, .040 THK	
2. <b>Pressnut</b> - Self-locking, Stainless Steel, meet MIL-N-45938.	
3. <b>Mounting Screws</b> - Stainless Steel - 300 Series.	
<b>Finish:</b>	
1. <b>Retainer</b> - Alodine per MIL-C-5541.	
2. <b>Pressnut</b> - CAD per QQ-P-416 followed by dry film lube per MIL-L-46010.	
3. <b>Mounting Screws</b> - Black Oxide.	